

# TRACTO

## GRUNDODRILL 5X FLUID-ASSISTED HDD RIG COMPACT DRILL

Further information  
on GRUNDODRILL

[TRACTO.COM/GRUNDODRILL](https://tracto.com/grundodrill)

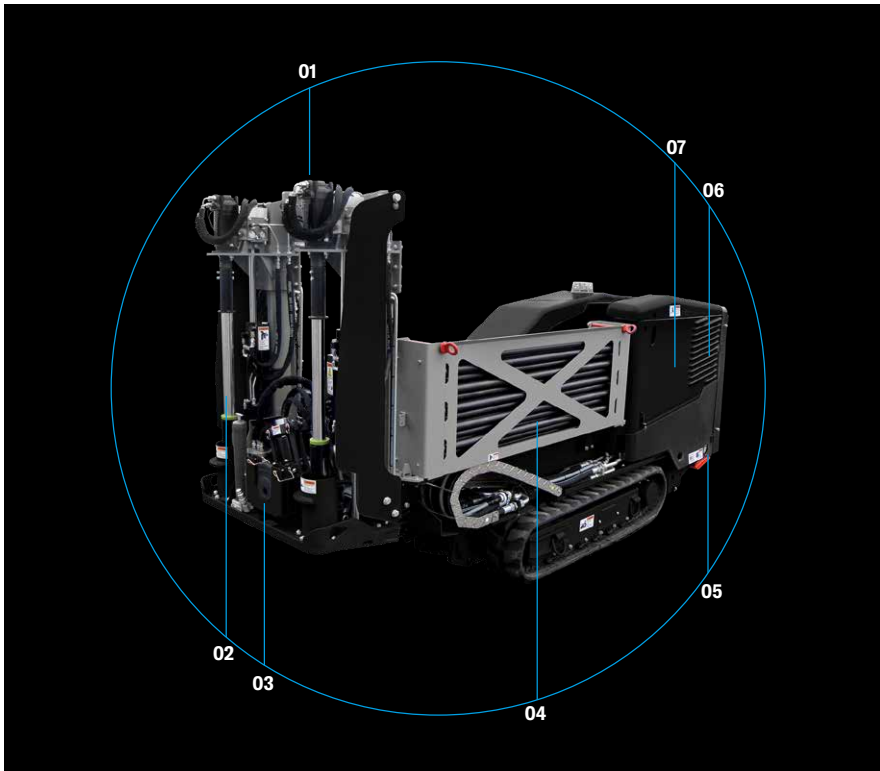


**ADVANCED TRENCHLESS TECHNOLOGY**

[TRACTO.COM/GRUNDODRILL](https://tracto.com/grundodrill)

# GRUNDODRILL 5X

## NEXT GENERATION COMPACT DRILL



### ALL HIGHLIGHTS AT A GLANCE

**01 Compact Size** At 915 mm wide, the GRUNDODRILL 5X travels easily through gates and backyard easements.

**02 Stake Down** The GRUNDODRILL 5X features the most advanced stakedown system in its class. The stake down system features a two auger stationary mounted design. Independent rear stabilizers help improve drill stability and performance in all situations.

**03 Rod Greaser** The GRUNDODRILL 5X features a patent-pending onboard drill rod greaser.

**04 Drilling Modes** A variety of drilling modes simplifies drilling operations and makes the GRUNDODRILL 5X very

user friendly. Drilling modes range from manual to fully automated.

**05 Fuel Tank** A 72 l fuel tank provides an estimated 20 hours of continual use.

**06 Sound** The unit's ultra-quiet variable speed fan, along with an insulated sound dampening engine hood makes the GRUNDODRILL 5X extremely quiet to operate.

**07 Engine** The 5X features a Stage V, 56HP Kohler engine, one of the largest in its drill class. The engine meets all environmental emissions specifications.

### ADVANCED DRILLING TECHNOLOGY, POWER & PERFORMANCE

The GRUNDODRILL 5X offers unmatched power, combined with compact size, advanced drilling technology and the ability to manoeuvre in tight working conditions. This makes the 5X the most effective and productive compact horizontal directional drill for its size in the utility construction industry!

The unit features a Stage V, 56HP Kohler engine, a single push button stake down system and independent front and rear lift. The advance drilling system ensures accurate, on-target boring in all types of soil and jobsite conditions.

With 50 kN of thrust and pullback and 1,627 Nm of torque the Grundodrill 5X has the power for a significant range of installation projects, beyond the typical compact directional drill. Its highly compact design makes it ideal for "last mile" operations in residential neighbourhoods, along with service line and main installations for gas and water.

To easily complete longer crossings, the Grundodrill 5X comes with a removable drill rod magazine with a capacity for 61 metres of drill rod. An optional magazine with 76 metres of drill rod is also available.

TECHNICAL DATA	GRUNDODRILL 5X
Thrust and pullback force	50 kN
Max. torque	1,627 Nm
Max. spindle speed	200 rpm
Weight max.	3,266 Kg
Length x Width x Height (transport position)	3.830 x 915 x 1.950 mm
Length x Width x Height (working position)	4.200 x 1.600 x 1.500 mm
Inclination angle	11 – 17°
Rod magazine contents	61 m
Rod length	1,525 mm
Rod weight	9.6 kg
Engine	Kohler 56HP Stage V
HP Bentonite pump	37.8 l/min
Bentonite pressure	69,0 bar
Sound pressure level L <sub>PA</sub>   Sound power level L <sub>WA</sub>	dB   dB

Data subject to change.

### FEATURES



All-Weather 7" touch screen



Easy entry angle adjustment from 11-17°



Onboard 38 l/min high pressure drill fluid pump



Drill rod capacity 61 metres optionally 76 metres

## TRACTO

### ADVANCED TRENCHLESS TECHNOLOGY

TRACTO-TECHNIK GMBH & CO. KG | PAUL-SCHMIDT-STRASSE 2 | 57368 LENNESTADT, GERMANY | T +49 2723 808-0 | INFO@TRACTO.COM